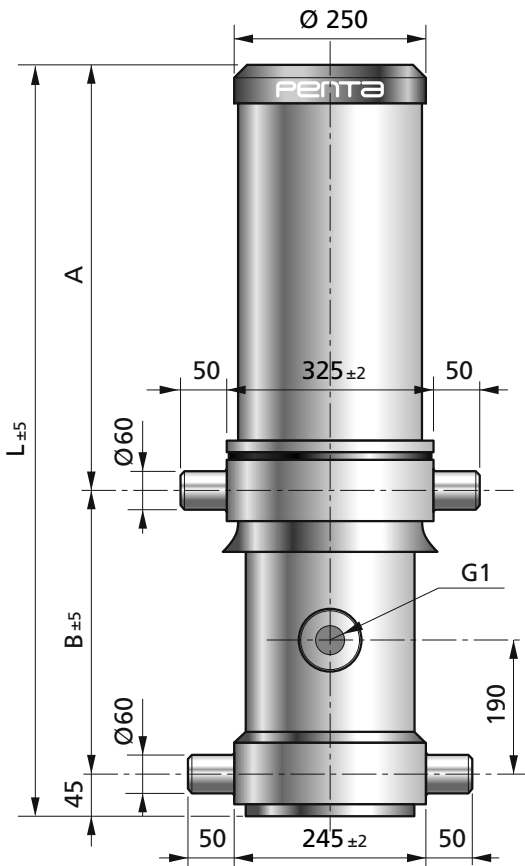


WITH OUTER COVER

HFC 169

EFFECTIVE DIAMETER [mm] **169 - 149 - 129 - 111 - 95**



OPTIONAL

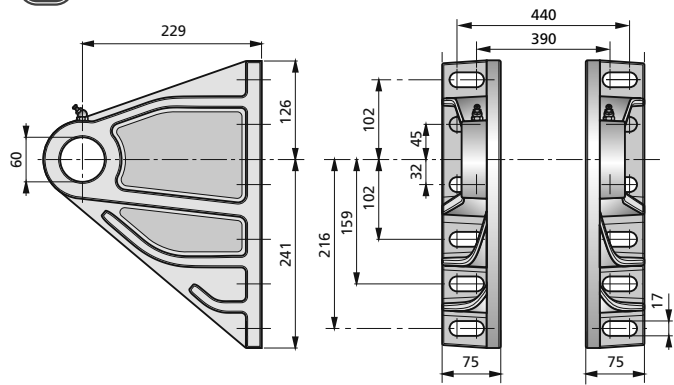


ACCESSORIES



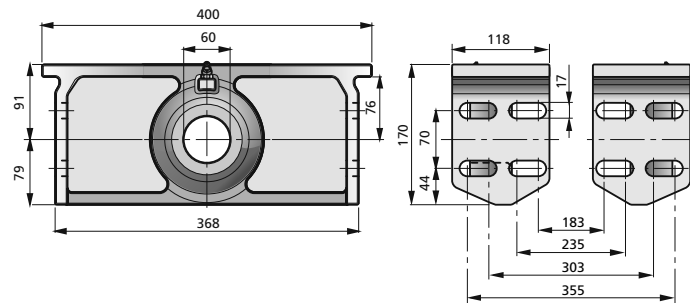
UPPER BRACKET • PAIR

A80060001



BOTTOM BRACKET • PAIR

A90060003



Caution for Upper and Bottom Brackets

Recommended backlash between pin over-bosses and brackets / supports = 3 mm total (1.5 mm each side). It is recommended to fit M16 bolts/nuts, type 8.8 or better.



Pull-out

Dimension marked as **B** (closed centre dimension) refers to cylinder completely closed. It is recommended to fit the cylinder with 20-25 mm pull-out more than the specified **B** dimension, in order to avoid unwanted loads on internal steel stop rings when tipper body is fully loaded.



Chromium Plate

All front mount Penta cylinders have the piston rod hard chrome plated, to ensure better resistance to corrosion and longer lifetime to the seals (the seal set of the piston rod is the most critical, as when the truck is in motion the tipping body can vibrate). Penta do not guarantee standard cylinders against corrosion.

HFC 169 TECHNICAL DATA

MODEL	CODE	EXTENSIONS N.	POWER STROKE [mm]	MASS [kg]	WORKING VOLUME [dm ³]	MAX. WORKING PRESSURE [bar]	TIPPING CAPACITY [ton]	L	A [mm]	B
HFC 4630 169 4	4213601694010	4	4630	290	72,3	200	46-85	1476	1104	327
HFC 4930 169 4	4214301694010	4	4930	308	77	200	46-85	1551	1188	318
HFC 5090 169 4	4214701694010	4	5090	310	79,5	200	46-85	1591	1217	329
HFC 5690 169 4	4216801694010	4	5690	343	88,9	200	46-85	1801	1423	333
HFC 5420 169 5	4212801695010	5	5420	294	75,4	200	39-73	1412	1034	333
HFC 5800 169 5	4213601695010	5	5800	308	80,6	200	39-73	1492	1104	343
HFC 6170 169 5	4214301695010	5	6170	320	85,8	200	39-73	1562	1188	329
HFC 6720 169 5	4216001695010	5	6720	345	93,5	200	39-73	1737	1349	343
HFC 7120 169 5	4216801695010	5	7120	360	99,1	200	39-73	1812	1438	329
HFC 8070 169 5	4218801695010	5	8070	389	112,3	200	39-73	2002	1619	338
HFC 9020 169 5	4220601695010	5	9020	421	125,6	155	39-57	2192	1674	473
HFC 9520 169 5	4221601695010	5	9520	439	132,5	140	37-51	2292	1781	466